

Blindtrack 

Tel: 0208 515 8333

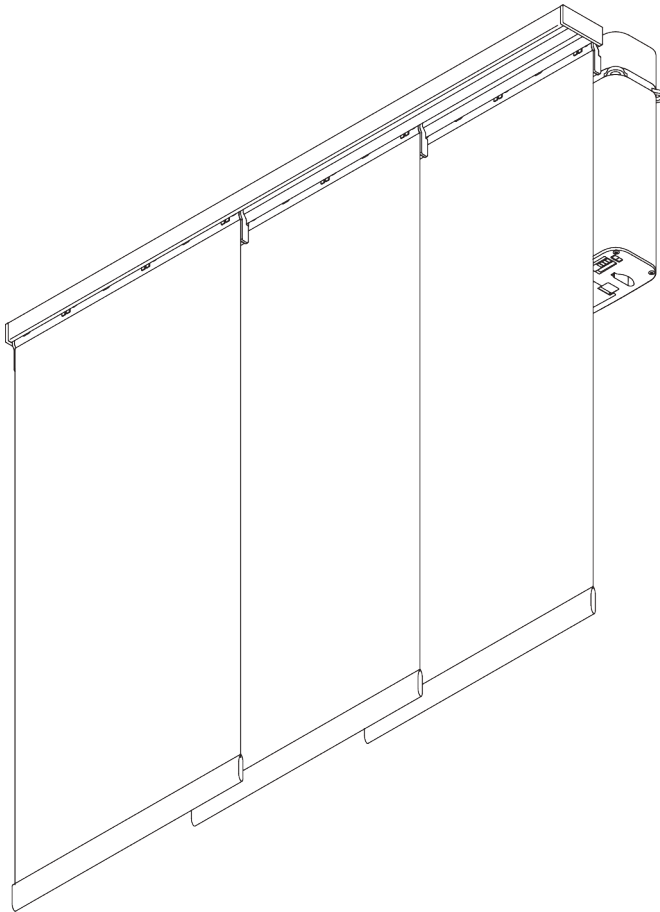
sales@blindtrack.co.uk

www.blindtrack.co.uk

Silent Gliss 2750

TECHNICAL DOCUMENT

SG 2750



PRODUCT INFORMATION

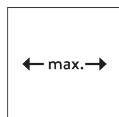
- **Operation:** motorised
- **Range:** S - L
- **Fitting:** ceiling
- **Colours:** white RAL 9016; special colours or anodised aluminum possible
- **Fabrics:** refer to Silent Gliss fabric collection

Features:

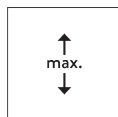
- 2-component (2C) roller technology
- Silent and smooth running
- Aluminium carriers
- Applicable with electric curtain track system SG 5600

SYSTEM SPECIFICATIONS

A. SYSTEM DIMENSIONS



6 m



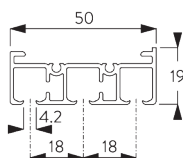
4 m



max. 2 kg per m

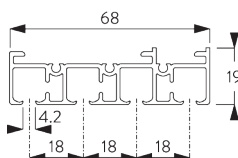
B. PROFILE

Profile information



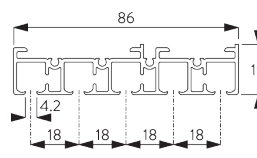
SG 10123

Profile 3-channel



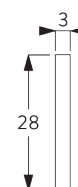
SG 10124

Profile 4-channel



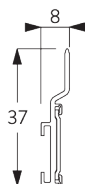
SG 10125

Profile 5-channel



SG 2006

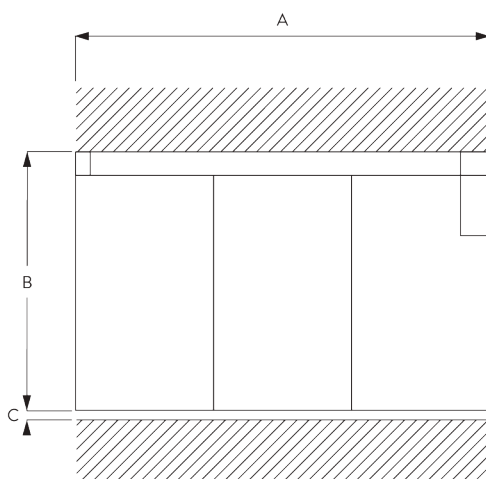
Bottom bar 28x3 mm



SG 10230

Carrier alu

C. HOW TO MEASURE

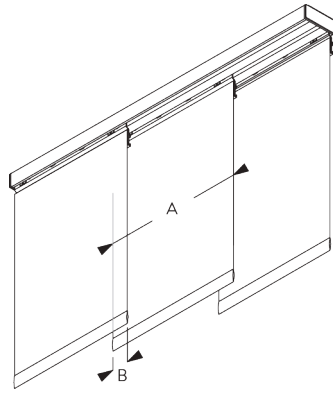


A: System width

B: System height

C: Distance between floor and fabric

Dimensions of Panels



A: Recommended panel width: 500 - 1200

B: Overlap: min. 50

D. SPECIFICATION

TEXT

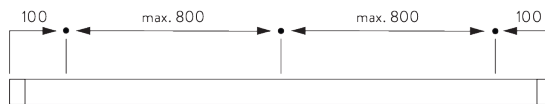
Silent Gliss SG 2750 Electrically Operated Panel Glide System. Supplied made to measure and complete comprising profiles SG 10123 / SG 10124 / SG 10125 as necessary with carriers SG 10230 with associated components and bottom weight SG 2006. Fabric panels stack right hand single / left hand single / pair / centre. Electrically operated (incorporating electric curtain track system SG 5600). Ceiling fixed using clamps SG 3003 / SG 3004. Fabric to be chosen from Silent Gliss fabric collection, Price Group 1 / 2 / 3 / 4.

FITTING

A. FITTING INFORMATION

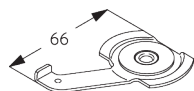
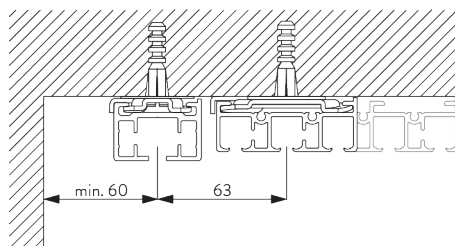
For detailed fitting information, visit the [Silent Gliss website](#).

Fixing points

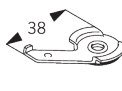


B. CEILING FITTING

With SG 5600



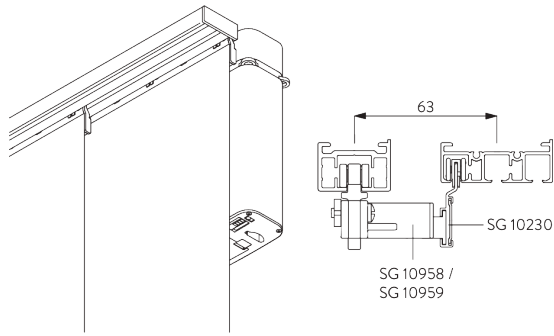
SG 3003
Clamp



SG 3004
Clamp

SYSTEM OPTIONS

A. MOTORISATION



Motorised with SG 5600

- Single stack systems: carrier SG 10958
- Pair stack systems: carriers SG 10958 / SG 10959

For further details refer to the electric curtain track catalogue.

B. PANEL STACKING



Single stack

Note: dot = fixed panel



Pair stack

Note: dot = fixed panel

Other variations are possible.

GENERAL NOTES

Dimensions

- Measurements are in mm except where indicated.
- Max. kg relates to fabric incl. accessories.
- Stack size depends on panel width.
- Recommended distance floor / fabric: 20 mm.
- In order to determine system height (B), the smallest room height must be taken into account.

Fitting


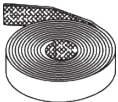


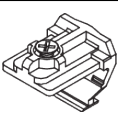
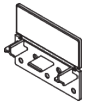
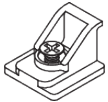
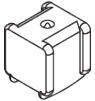

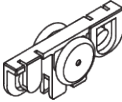



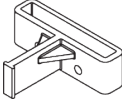
- Installation by qualified fitter only.
- Number of brackets and fitting positions / fixing points vary depending on fitting surface, system weight, fabric make-up, screw / fixing type and obstacles.
- Qualified fitter must use appropriate screws / fixings for each situation.
- Profile lip if applicable to be installed to room side.
- Electrical installations must be carried out according to Silent Gliss wiring diagrams and conform to local regulations.
- Check space for cables and plugs!

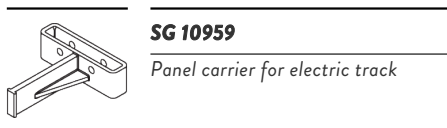
Child Safety

- All relevant Silent Gliss systems correspond to child safety EN 13120.
- All parties involved must comply with EN 13120.

PARTS


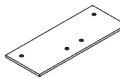


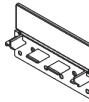
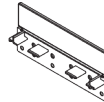
A. STANDARD PARTS

	SG 2006 Bottom bar 28x3 mm
	SG 2539 Tape
	SG 3003 Clamp
	SG 10123 Profile 3-channel
	SG 10140 Angle
	SG 10143 Cover
	SG 10146 Angle
	SG 10156 End stop
	SG 10159 Countersunk head screw 3.5x13
	SG 10200 2C roller
	SG 10230 Carrier alu
	SG 10252 End cover left
	SG 10253 End cover right
	SG 10958 Panel carrier for electric track



SG 10959
Panel carrier for electric track

B. OPTIONAL PARTS

	SG 2005 Bottom bar 40x5 mm
	SG 6024 Connection bridge
	SG 10124 Profile 4-channel
	SG 10125 Profile 5-channel
	SG 10144 End cover
	SG 10145 End cover

