

**Blindtrack** 

Tel: 0208 515 8333

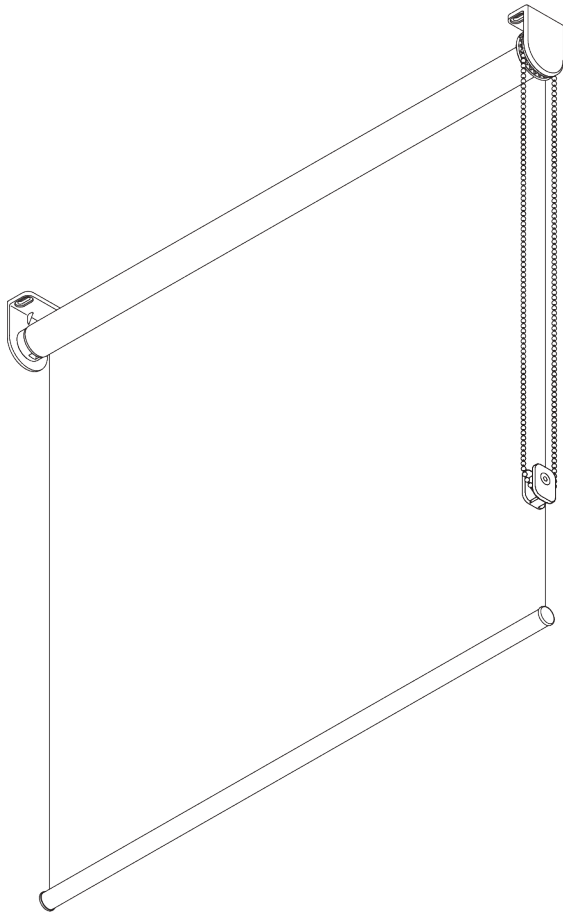
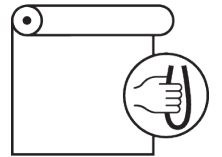
[sales@blindtrack.co.uk](mailto:sales@blindtrack.co.uk)

[www.blindtrack.co.uk](http://www.blindtrack.co.uk)

**SILENT GLISS - 4907**  
**TECHNICAL DOCUMENT**

# SG 4907

---



## PRODUCT INFORMATION

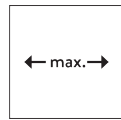
- **Operation:** chain
- **Range:** S
- **Fitting:** ceiling, wall, recess
- **Colours:** white RAL 9016 or grey RAL 7035, special colours possible
- **Fabrics:** refer to Silent Gliss fabric collection

### **Features:**

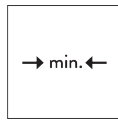
- Stainless steel bead chain
- Identical (left / right) metal click-in brackets
- Installation profile

# SYSTEM SPECIFICATIONS

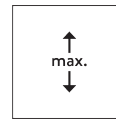
## A. SYSTEM DIMENSIONS



1.8 m



50 cm



2.8 m



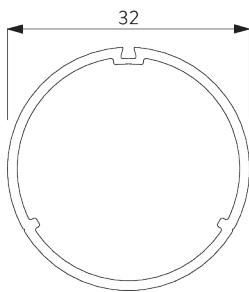
5 m<sup>2</sup>



2.5 kg

## B. PROFILE

Profile information



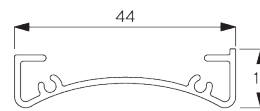
**SG 4227**

Tube ø 32 mm



**SG 10872**

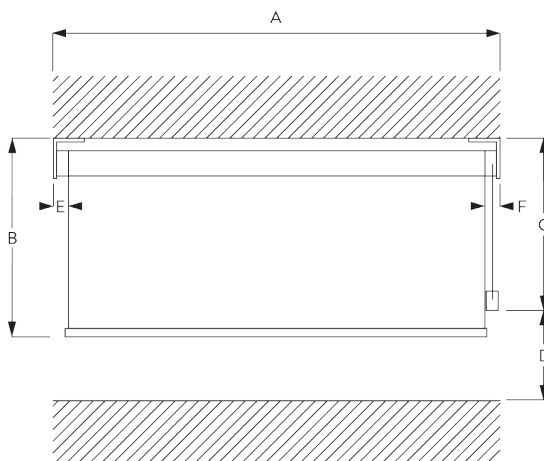
Bottom bar



**SG 10534**

Installation profile

## C. HOW TO MEASURE



- A: System width
- B: System height
- C: Chain height
- D: Safety Retainer SG 10731 min. 150 cm above floor
- E: Light gap: 17 mm
- F: Light gap operation side: 17 mm

## D. SPECIFICATION TEXT

**Silent Gliss SG 4907 Chain Operated Roller Blind System.** Roller blind system for medium size blind applications up to 1.8m wide. Supplied made to measure and complete comprising anodised aluminium barrel SG 4227. Fixed to wall/ceiling/inside recess with brackets SG 10873. Assembled with powder coated aluminium bottom weight bar SG 10872 in white/grey. Compliant to Child Safety legislation EN 13120. Fabric to be chosen from the Silent Gliss fabric range, Price Group 1R / 2R / 3R.

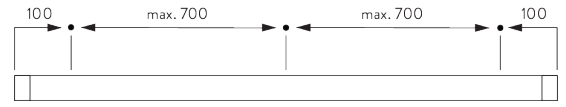
# FITTING

## A. FITTING INFORMATION

### Fixing points

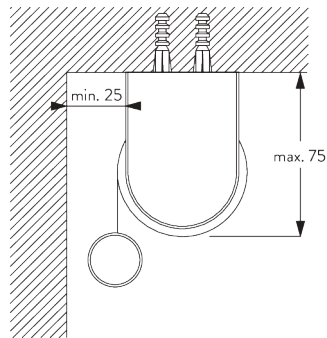


Brackets (wall / ceiling)

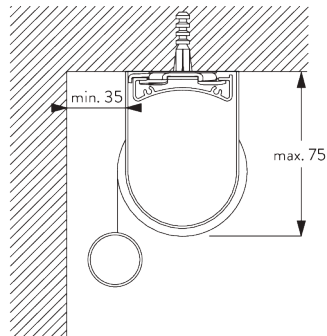


Installation profile SG 10534 (wall / ceiling)

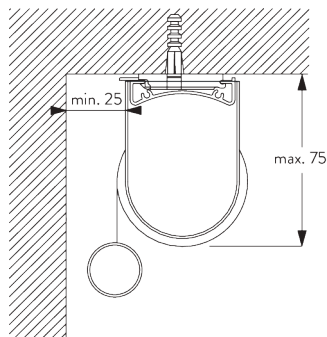
## B. CEILING FITTING



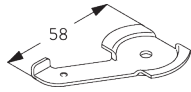
Brackets SG 10873



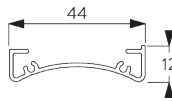
Installation profile SG 10534, brackets SG 11198 and clamp SG 3044



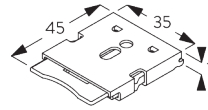
Installation profile SG 10534, brackets SG 11198 and click bracket SG 10539



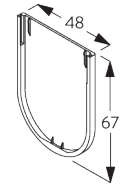
**SG 3044**  
Clamp



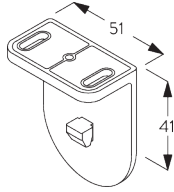
**SG 10534**  
Installation profile



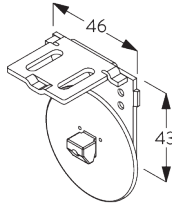
**SG 10539**  
Bracket



**SG 10574**  
Bracket cover

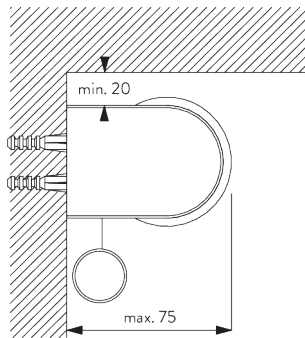


**SG 10873**  
Bracket

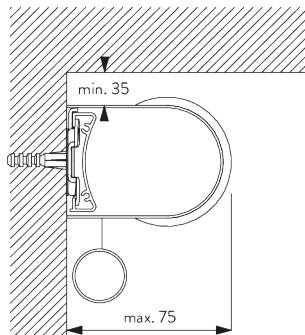


**SG 11198**  
Bracket

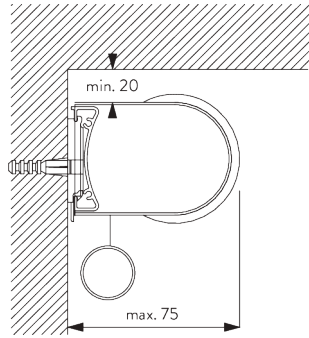
### C. WALL FITTING



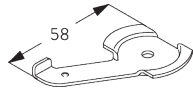
**Brackets SG 10873**



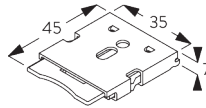
**Installation profile SG 10534, brackets SG 11198 and clamp SG 3044**



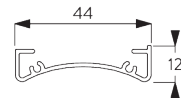
**Installation profile SG 10534, brackets SG 11198 and click bracket SG 10539**



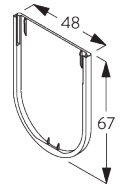
**SG 3044**  
Clamp



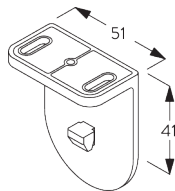
**SG 10539**  
Bracket



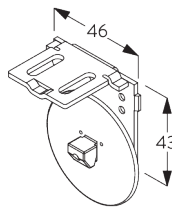
**SG 10534**  
Installation profile



**SG 10574**  
Bracket cover

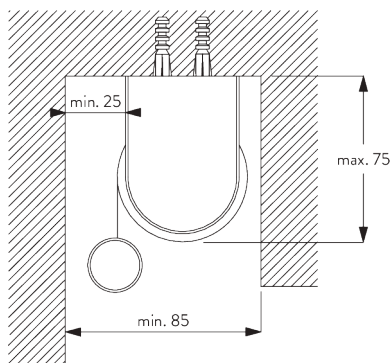


**SG 10873**  
Bracket

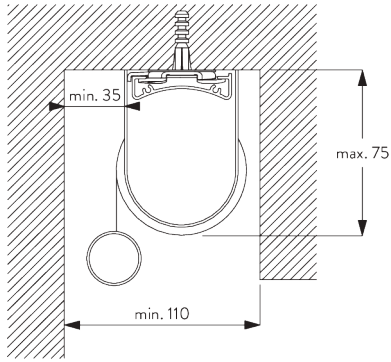


**SG 11198**  
Bracket

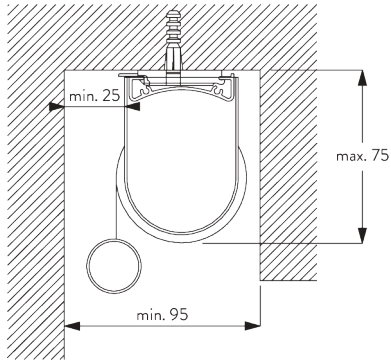
## **D. RECESS FITTING**



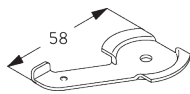
**Brackets SG 10873**



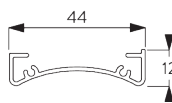
**Installation profile SG 10534, brackets SG 11198 and clamp SG 3044**



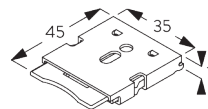
**Installation profile SG 10534, brackets SG 11198 and click bracket SG 10539**



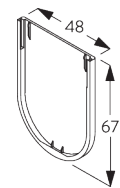
**SG 3044**  
Clamp



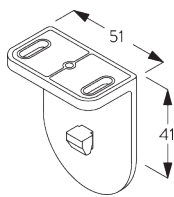
**SG 10534**  
Installation profile



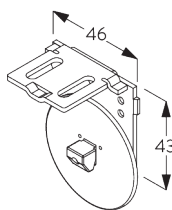
**SG 10539**  
Bracket



**SG 10574**  
Bracket cover



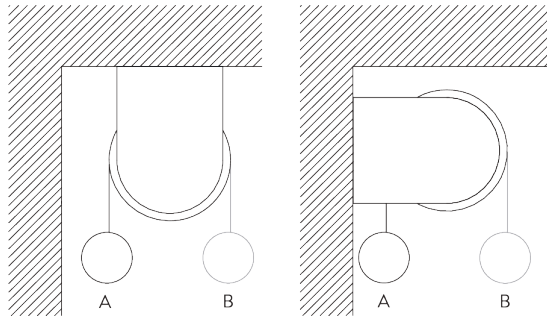
**SG 10873**  
Bracket



**SG 11198**  
Bracket

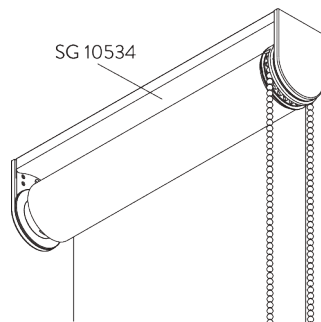
# SYSTEM OPTIONS

## A. FABRIC ROLL-OFF



A: Fabric roll-off window side (standard)  
B: Fabric roll-off room side (option)

## B. INSTALLATION PROFILE



# GENERAL NOTES

### Dimensions

- Measurements are in mm except where indicated.
- Max. kg relates to fabric incl. accessories (bottom bars, etc.).

### Fitting

- Installation by qualified fitter only.
- Number of brackets and fitting positions / fixing points vary depending on fitting surface, system weight, fabric make-up, screw / fixing type and obstacles.
- Qualified fitter must use appropriate screws / fixings for each situation.
- Profile lip if applicable to be installed to room side.
- Electrical installations must be carried out according to Silent Gliss wiring diagrams and conform to local regulations.
- Check space for cables and plugs!

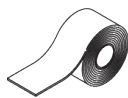
### Child Safety

- All relevant Silent Gliss systems correspond to child safety EN 13120.
- All parties involved must comply with EN 13120.



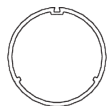
# PARTS

## A. STANDARD PARTS



**SG 4226**

Double tape 30 mm



**SG 4227**

Tube ø 32 mm



**SG 4234**

PVC strip 12 mm



**SG 4845**

Bead chain metal ø 4.5 mm



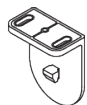
**SG 10731**

Child safety retainer set



**SG 10872**

Bottom bar



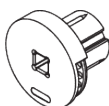
**SG 10873**

Bracket



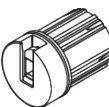
**SG 10874**

End cover



**SG 10880**

Chain drive



**SG 10885**

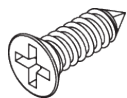
Tube adapter

## B. OPTIONAL PARTS



**SG 3044**

Clamp



**SG 10498**

Countersunk screw 2.9x9.5



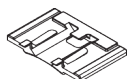
**SG 10534**

Installation profile



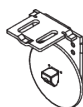
**SG 10574**

Bracket cover



**SG 10690**

Spacer



**SG 11198**

Bracket